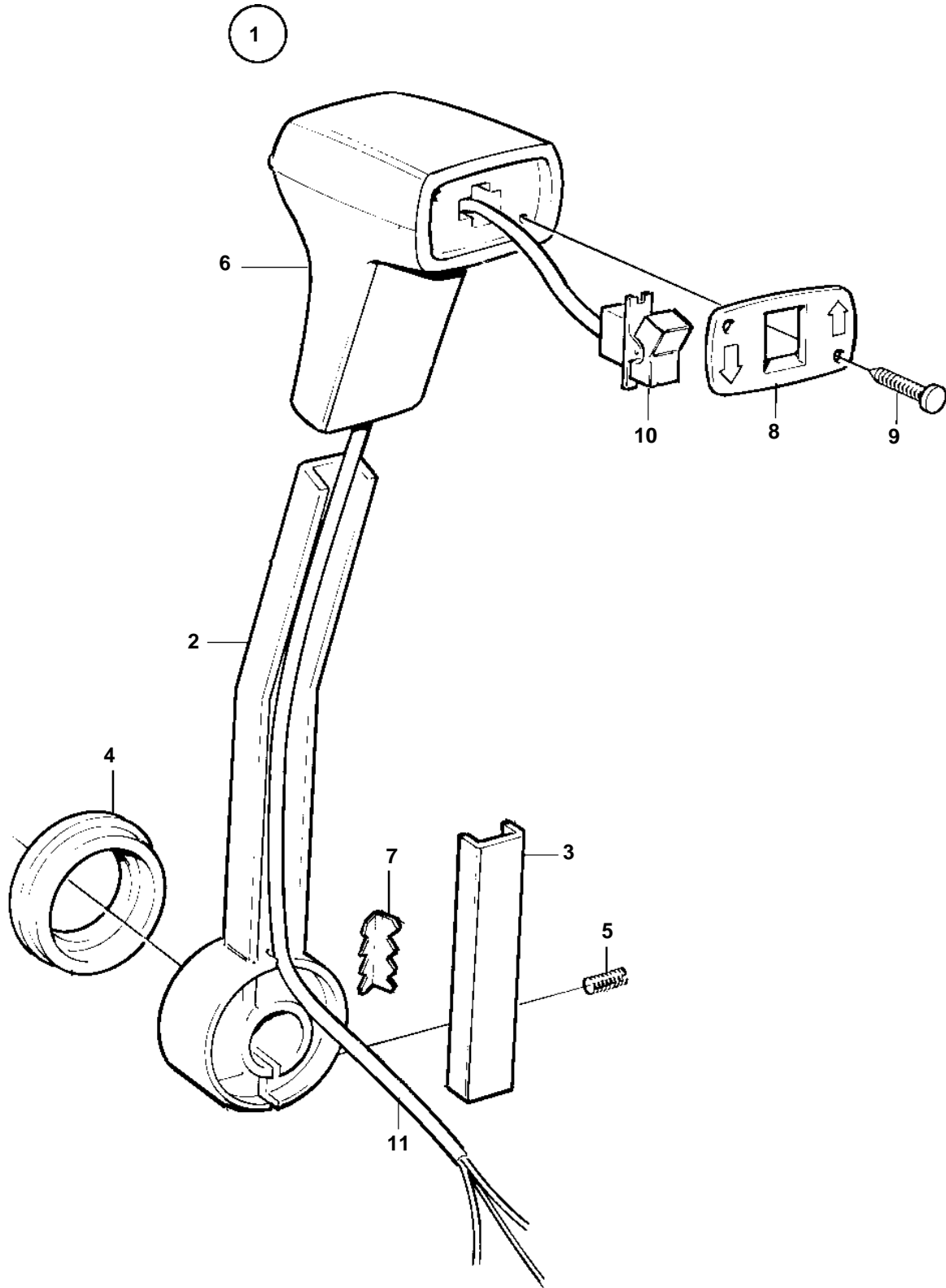


KAD32P-A, TAM42WJ-A, KAMD43P-A, KAD43P-A



KAD32P-A, TAMD42WJ-A, KAMD43P-A, KAD43P-A

REF	PART NO.	QTY	DESCRIPTION
1	1140042	1	Lever
2			Lever
3	852991	1	· Rail
4	852995	1	· Ring
5	963678	1	· Screw
6		1	· Handle
7	853000	1	· Striker plate
8	852993	1	· Connector cap
9	853003	2	· Nail
10	853311	1	· Switch
11		1	· Cables and terminals